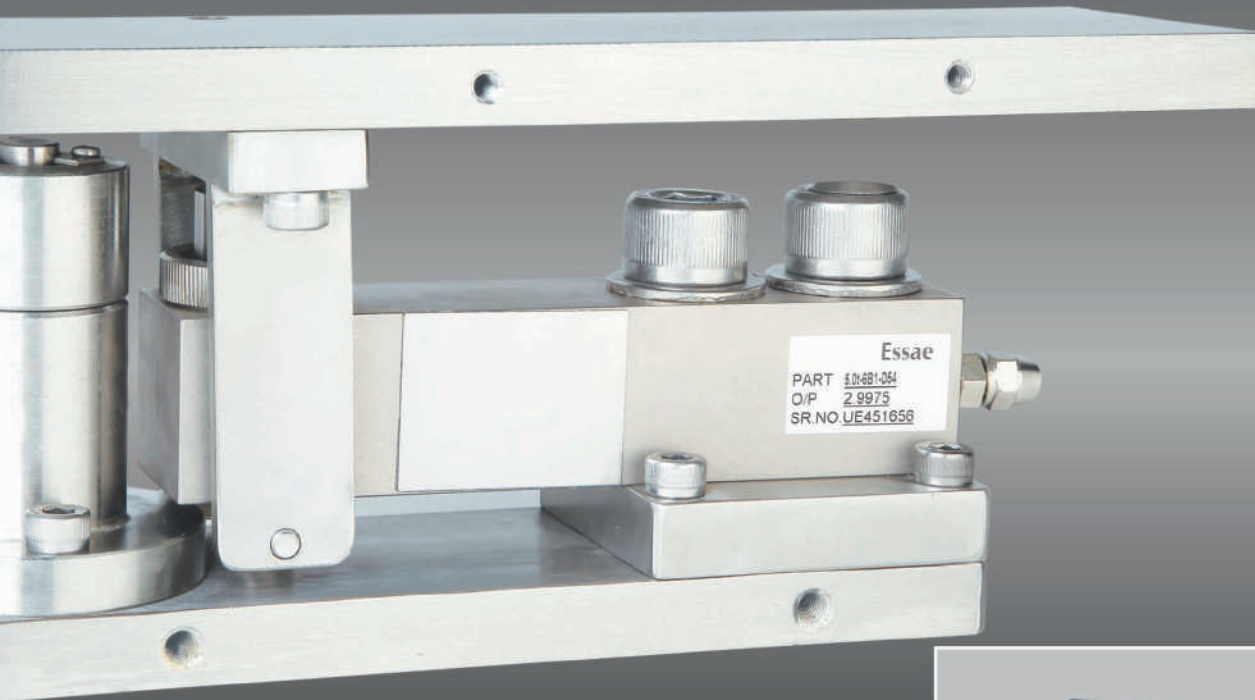


SI-810/DS-451TW

Tank Weighing System

Essae[®]
...for Excellence



Load cell kit



SI-810

Ideal Weighing Solution for Process Industries



Technical Specification

Model	Capacity (kg)	Accuracy (g)	Load cell Kit	MOC	
SI-810 / DS-451	300	100	3 Load cell	SS	
	1500	500			
	3000	1000			
	6000	2000			
	10000	5000			
	SI-810	300	100		4 Load cell
		1500	500		
		3000	1000		
		6000	2000		
		10000	5000		
SI-810	600	100	3 Load cell		
	600	100	4 Load cell		
DS-451	600	200	3 Load cell		
	600	200	4 Load cell		



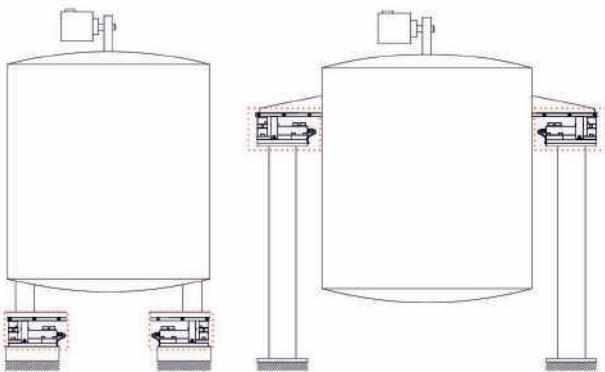
Silent Features

- Built-in screw jack for easy maintenance
- Wide choice of indicator options
- Fully Stainless Steel (SS-304)

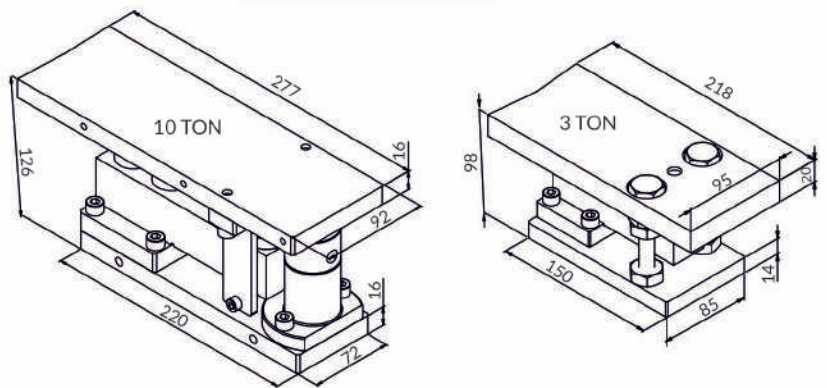
Load cell Specification

- Nickel plated alloy steel IP-67 shear beam load cell
- Adhesive sealed
- High reliability

Schematic Representation



Load cell Dimension (mm)



Essae-Teraoka Pvt. Ltd.

410, 100ft Road, 4th Block,
Koramangala, Bengaluru-560 034

info@essae.com

http://www.essae.com

+91 80 2511 3021

1-800-425-3111

0-78488 12346

Essae[®]
...for Excellence

Your Essae representative

Note: The above model meets the statutory and regulatory requirements as per the provision of legal metrology Act 2009 and legal metrology (General) Rule, 2011. Specifications are subject to change without notice. Other names and logos used are property of respective brands.