

# SI-810

Volumetric Scale

**Essae**<sup>®</sup>  
...for Excellence



e-Commerce



Logistics



Distribution  
Center



Warehouse

High Precision Weighing & Dimensioning Scale



## Technical Specification

### General Specification

<b>Model</b>	<b>SI-810 Volumetric Scale</b>
Weighing unit	kg
Measuring unit	cm, mm
Maximum weight	50 kg
Weighing increment	5 g
Platform size	600 x 600 mm
Measuring sensor	Red Light Laser Sensor (Class 2)

### Performance Specification

Maximum object size	600 mm [Length]
	600 mm [Width]
	600 mm [Height]
Minimum object size	30 mm [Length]
	30 mm [Width]
	30 mm [Height]
Measuring increment	5 mm
Measurement time	3 ~ 4 s

### Other Specification

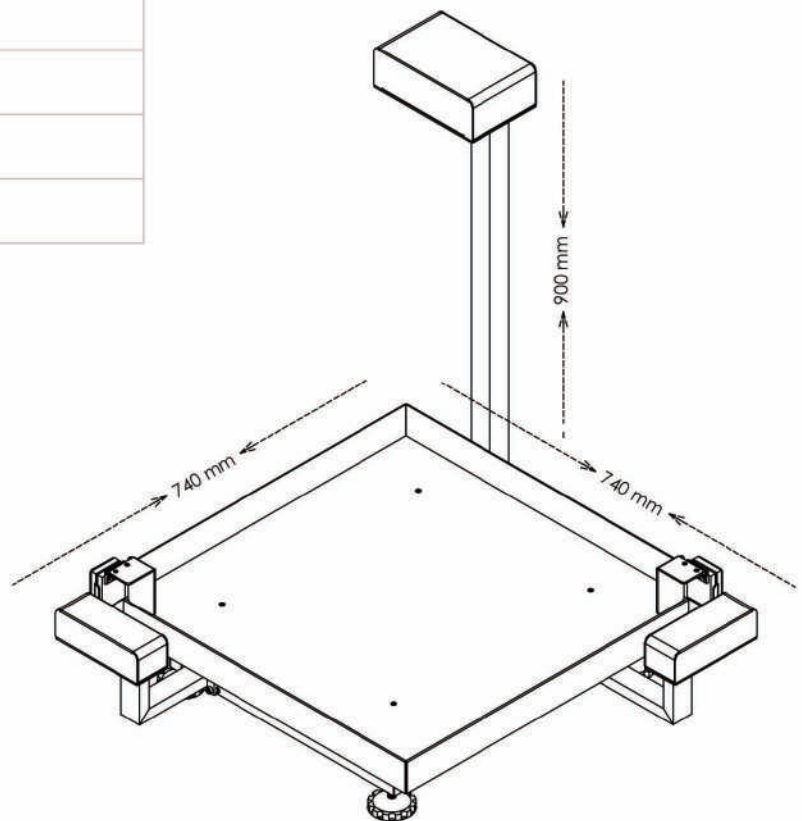
Object shape	Boxes only
System interface	USB – HID, Ethernet [TCP/IP]
Power requirement	230 V AC, 50 Hz
Power consumption	30 W

### Graphic LCD Display



Actual Weight

Volumetric Weight



Form No. : CAT-SI-810VS-056 R02

### Essae-Teraoka Pvt. Ltd.

410, 100ft Road, 4th Block,  
Koramangala, Bengaluru-560 034

info@essae.com

http://www.essae.com

+91 80 2511 3021

1-800-425-3111

0-78488 12346

**Essae**<sup>®</sup>  
...for Excellence

Your Essae representative

Note: The above model meets the statutory and regulatory requirements as per the provision of legal metrology Act 2009 and legal metrology (General) Rule, 2011. Specifications are subject to change without notice. Other names and logos used are property of respective brands.