

# MA-815 Milk Analyser

**Essae**<sup>®</sup>  
...for Excellence

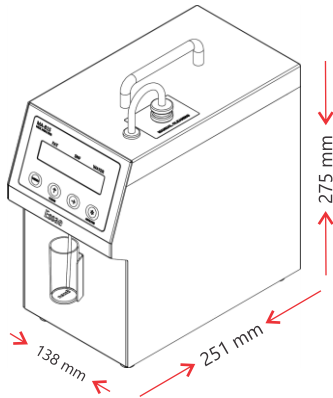


***Setting a Higher Standard***

***in Milk Analysis***

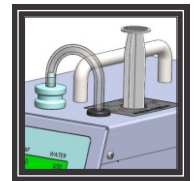
# MA-815 Milk Analyser

# Technical Specifications



Parameter	Range	Resolution	Accuracy
Fat	0 to 15 %	0.1 %	+/- 0.1 %
SNF	3 to 15 %	0.1 %	+/- 0.2 %
Added Water	0 to 100 %	1 %	+/- 3 %
CLR	20 to 40	1	+/- 1
Lactose	1 to 8 %	0.1 %	+/- 0.2 %
Protein	1 to 6 %	0.1 %	+/- 0.2 %
Salt	0.2 to 1.5 %	0.1 %	+/- 0.2 %

<b>Measuring Time</b>	38 sec @ 30°C Milk temperature	
<b>Milk Acidity</b>	<25° T ( degree Thorn)	
<b>Milk Temperature</b>	10 to 40° C	
<b>Milk Sample Volume</b>	25 ml	
<b>Display</b>	2 x 20 Character LCD display with Green Back light	
<b>Keyboard</b>	4 Keys	
<b>Power</b>	AC Power Supply Voltage	160V-270V / 50 Hz
	DC Power Supply Voltage	12V-14.2V
	Power Consumption	40 W Max
	DC Cable	DIN connector with cable length of 1.8 meter
<b>Environmental condition</b>	Ambient Air Temperature	15 to 45° C
	Relative Humidity	30 to 80 %
<b>Interface</b>	1 x RS-232 Serial with Cable	
<b>Physical Dimensions</b>	138 (W) x 251 (D) x 275 (H) mm	
<b>Weight</b>	3.65 kg	
<b>Cleaning</b>	Manual & Auto	



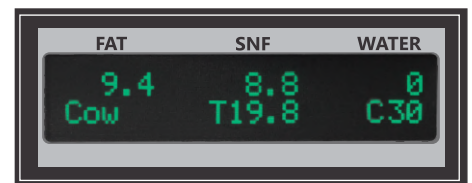
Manual Cleaning



Stainless Steel

## Salient Value

- Manual Cleaning for Superior Performance
- Faster Measurements
- High Precision for High Fat Milk
- Selectable DATA format for easy interface with any DPU & Dairy software
- Memory : Cleaning & Calibration records for service with Time stamp



Bright **GREEN** LCD Display

Form No. CAT-MA-815-061 R00

### Essae-Teraoka Pvt. Ltd.

410, 100ft Road, 4th Block,  
Koramangala, Bengaluru- 560 034

info@essae.com

http://www.essae.com

+91 80 3021 3021

+91 80 3021 3001

1-800-425-3111

0-78488 12346

**Essae**<sup>®</sup>  
...for Excellence

Your Essae representative

▲ Factories in Bengaluru and Goa ▲ 47 Branch Offices ▲ 250+ Service engineers ▲ 350+ Resellers/Partners

Note: Specifications are subject to change without notice. Other names and logos used are property of respective brands.