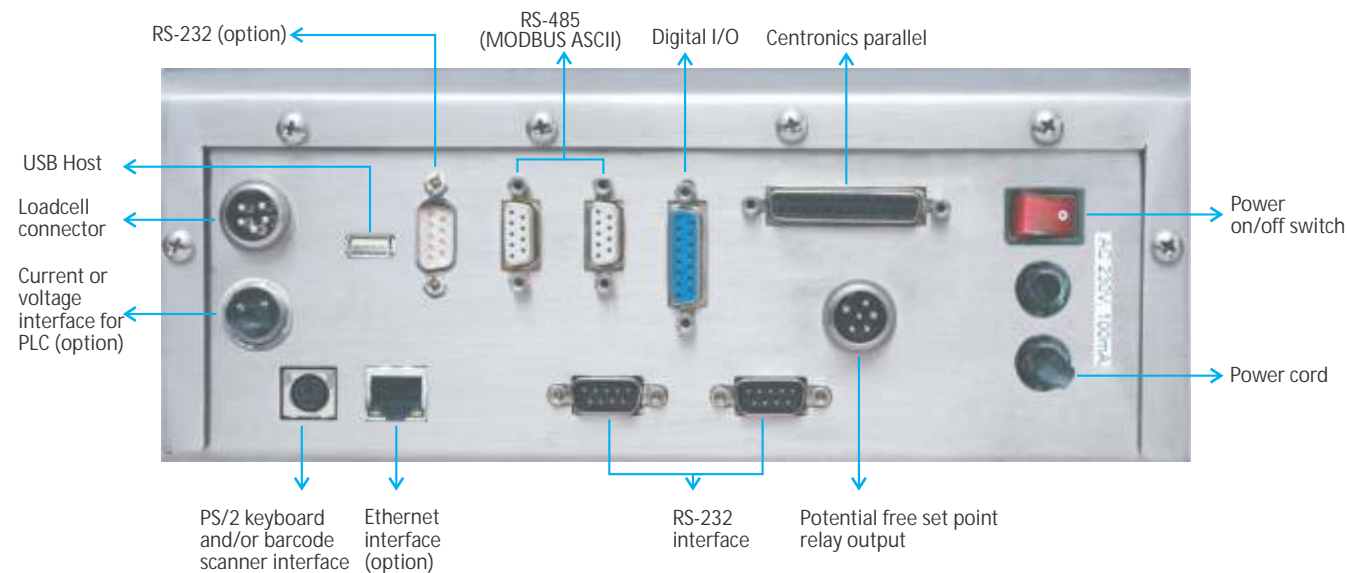
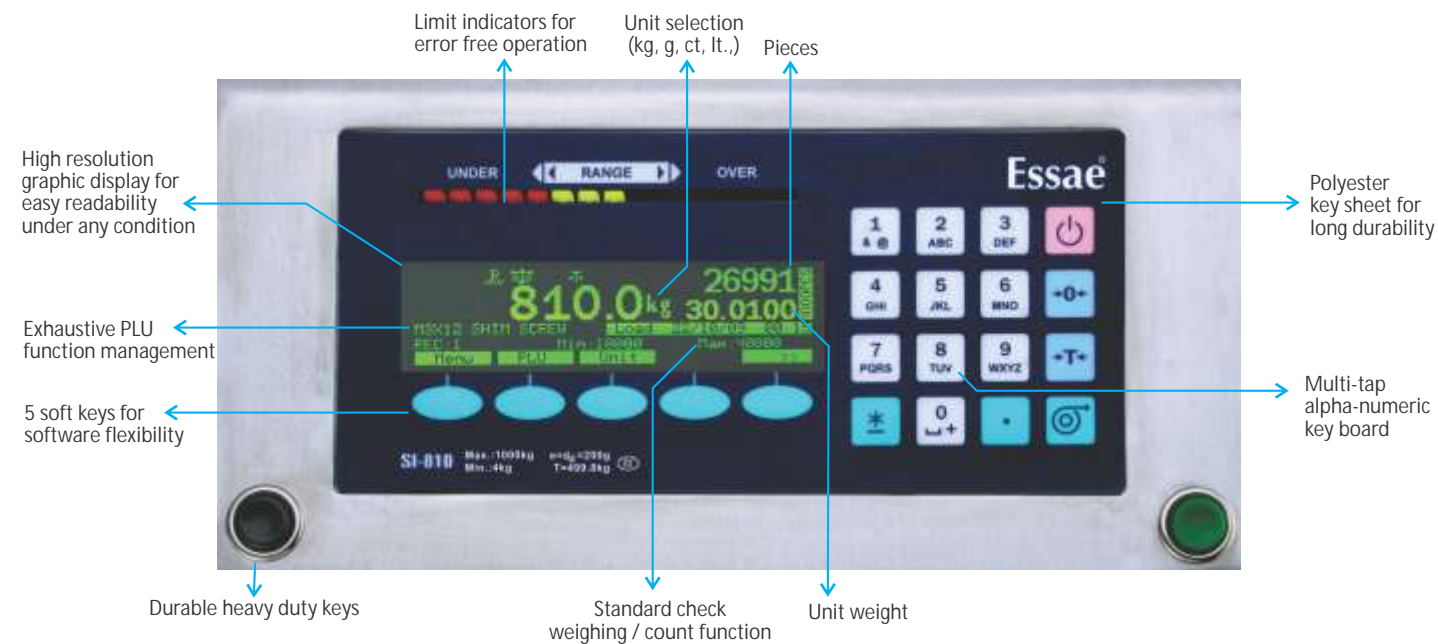


Special features

- 32-bit ARM processor and 24-bit precision delta-sigma ADC
 - Selectable filter and stability settings for any weighing application
 - Automatic self-diagnostic function for easy trouble shooting
 - Wide variety of configurable printing formats and reports
 - Cloning the scale configuration and data for faster and reliable replacement
 - Compatible ERP scale server
 - User-friendly interactive menus
 - Secure access control through passwords in software
 - Optional second platform and external scale/balance interface
 - Windows based PC application software (Compatible for Serial & Ethernet port)
 - Functionality :
 - PLU manager
 - File manager
 - Field manager
 - Scale management. etc.,
- Basic weighing/Counting version : OS Support Windows XP/7/8
Filling version : OS Support Windows XP



Form no. CAT - SI-810-017 R12

System Indicator - A new generation solution to automate and improve the efficiency of all your weighing operations !



SI-810



Pharma



Dairy



Logistics



Food Processing



Manufacturing

Essae-Teraoka Pvt. Ltd.

410, 100ft Road, 4th Block, Koramangala, Bengaluru-560 034

info@essae.com

http://www.essae.com

+91 80 3021 3021

+91 80 3021 3001

1-800-425-3111

0-78488 12346

Essae[®]
...for Excellence

Your Essae representative

▲ Factories in Bengaluru and Goa ▲ 47 Branch Offices ▲ 250+ Service engineers ▲ 350+ Resellers/Partners

Note: The above model meets the statutory and regulatory requirements as per the provision of legal metrology Act 2009 and legal metrology (General) Rule, 2011. Specifications are subject to change without notice. Other names and logos used are property of respective brands.

Lot more than a weighing scale...

Single loadcell platform scale

Capacity (kg)	Accuracy (g)	Platform size (mm)	Loadcell	Framework	Platter
6/15/30	0.5/1/2	400 x 400	Aluminium	MS	SS
60/150	5/10	450 x 550	Tool steel-IP67	MS	SS-304
150/300	10/20	550 x 650	Tool steel-IP67	MS	SS-304
300	20	600X600	Tool steel-IP67	MS	SS
300	50	700 x 800	Tool steel-IP67	MS	MSC
300	20	700 x 800	Tool steel-IP67	MS	MS
300/600	20/50	700 x 800	Tool steel-IP67	MS	SS/MS

Concentrated Platform

Capacity (kg)	Accuracy (g)	Platform size (mm)	Loadcell	Framework	Platter
60/150	5/10	450 x 550	Tool steel-IP67	SS-304/316	SS-304/316
150/300	10/20	550 x 650	Tool steel-IP67	SS-304	SS-304
300/600	20/50	700 x 800	Tool steel-IP67	SS-304	SS-304

Single loadcell bench scale

Capacity (kg)	Accuracy (g)	Platform size (mm)	Loadcell	Framework	Platter
3/6/15/30	0.2/0.5/1/2	360x276	Aluminum	SS-304	SS-304
6/15/30	0.5/1/2	360x276	Tool Steel-IP67	SS-304	SS-304
6/15/30	1/1/2	400X400	Tool Steel-IP67	SS-304/316	SS-304/316

Four loadcell platform scale

Capacity (kg)	Accuracy (g)	Platform size (mm)	Loadcell	Framework	Platter
600	50	700X800	Tool steel-IP67	MS	MSC
600/1000/1500/2000/3000/6000	100/200/200/500/500/1000	1000x1200 1200x1500 1500x1800	Tool steel-IP67	MS	MSC
600/1000/1500/2000/3000/6000	100/200/200/500/500/1000	1000x1200 1200x1500 1500x1800	Tool steel-IP67	MS	SS-304
600/1000/1500	100/200/200	1000x1200 1200x1500	Tool steel-IP67	SS-304	SS-304

Accessories

Ramp Size	Capacity (kg)	Ramp Size	Capacity (kg)
1200x1000mm, MSC	600 to 3000	1200x1000mm, SS-304	600 to 3000
1500x1000mm, MSC	600 to 3000	1500x1000mm, SS-304	600 to 3000
1800x1000mm, MSC	600 to 3000	1800x1000mm, SS-304	600 to 3000

Note: All the capacity are Single Accuracy



- Wide platform range to suit customer needs for higher capacity
- Rugged/Sturdy platforms in both SS/MS size to suit customer application



Platform type



Bench type



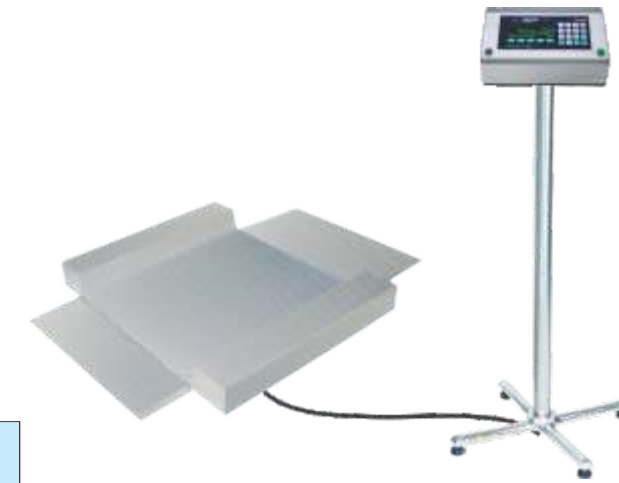
Low profile platform scale

- Fully SS
- Ideal for pharma and chemical industries
- Weighment area height of 45mm, ±5mm
- Easy movement of containers/trolleys
- Size to suit customer applications

Capacity (kg)	Accuracy (g)	Platform size (mm)
150/300/600	20/50/100	600x600
150/300/600	20/50/100	800x800
600/1000/1500	100/200/200	1200x1200
600/1000/1500	100/200/200	1500x1500

Accessories

Ramp Size (mm)	Capacity (kg)
600x300	150 to 600
800x300	150 to 600
1200x300	600 to 1500
1500x300	600 to 1500



Factory Options



FLP Enclosure



Tower Lamp

Technical specifications

Weighing units	g, kg, litre, carat (selectable)
Calendar/clock	Date/time available through in-built RTC
Weight recording	Automatic or manual
Printing data	Bill print (for each transaction) & List print (summary reports)
Memory	4 MB Flash (optionally expandable upto 8MB), 25,000 transaction records
Display type	Graphical Dot-matrix LCD, 256X64 pixels
Standard interfaces	2 x RS-232 serial
	1 x RS-485 (MODBUS ASCII)
	1 x Centronics Parallel
	6 x Digital I/O
	1 x PS/2 Port (for keyboard and/or barcode scanner)
	2 x Potential-free Set point relay output
Optional interfaces	1 x USB Host interface (pendrive)
	Flame proof with CIMFR certified for Zone I and Zone II
Others	Second Platform
	4-20mA or 0-20mA or 0-24mA
	External scale/balance interface through RS-232, only for selected Essae models

Sample List Print format 1 :

Essae-Teraoka Ltd Bangalore								
Sl.No	Product Name	Date	Time	Tare Wt	Net Wt	Gross Wt	Quantity	Remark
1	M3X6 shim screw	19-09-2009	13:43	0.250	0.241	0.491	10	LOW
2	M3X8 shim screw	19-09-2009	13:44	0.000	1.476	1.476	6033	HIGH
3	M3 hex nut	19-09-2009	13:44	0.100	1.380	1.480	3115	HIGH
4	M4 spring washer	19-09-2009	13:45	0.500	0.483	0.983	9662	HIGH
5	M6 rubber leg	19-09-2009	13:46	0.987	0.494	1.481	1501	HIGH
6	M8 hex nut	19-09-2009	13:46	0.250	1.234	1.484	4001	HIGH
				2.087	5.308	7.395	24322	

Thank you

Sample Bill Print format 1 :

Essae Teraoka Ltd Bangalore	
Sl.No	: 1
Product Name	: M3X6 shim screw
Date	: 19-09-2009
Time	: 13:43
Tare Wt	: 0.250 kg
Net Wt	: 0.241 kg
Gross Wt	: 0.491 kg
Quantity	: 10 pcs
Remark	: LOW

Thank you

Sample List Print format 2 :

CADILLA HEALTH CARE Zydus Towers, Satellite Cross Road Ahmedabad		
Date	: 17-03-2010	
Product Name	: Influenzum 2005	
Batch No	: 1235	
OP.Name	: Sriram	
Sample Size	: 993	
Min	: 0.100	Max : 0.200
Sl.NO	NET WT	Remarks
132	0.253	HIGH
133	0.254	HIGH
134	0.258	HIGH
135	0.259	HIGH
136	0.153	OK
137	0.098	LOW
Total : 1.275		
Avg Net Wt	: 0.253	
Lowest Wt	: 0.098	
Highest Wt	: 0.259	
Std Dev	: 0.069	
Variance	: 0.004	
Rel.Deviation:	0.327	
No.Of Low	: 1	
No Of OK	: 1	
No Of High	: 4	