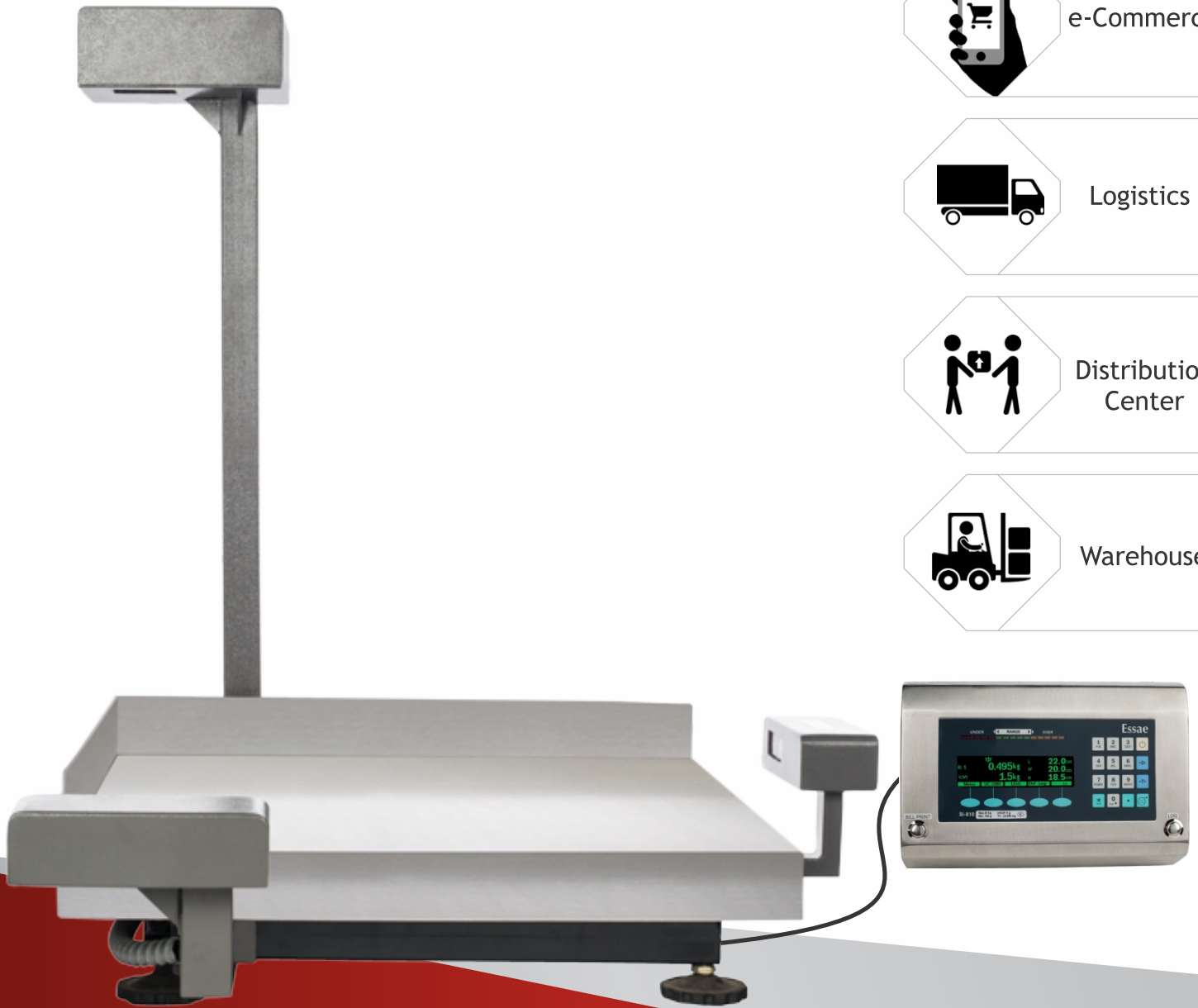


SI-810 Volumetric Scale

Essae[®]
...for Excellence



e-Commerce



Logistics



Distribution
Center



Warehouse



**High Precision Weighing & Dimensioning Scale
Ideal for Logistics & Warehousing Operations**

Technical Specifications

General Specification	
Weighing unit	kg
Measuring unit	cm, mm
Maximum weight	50 kg
Weighing increment	5 g
Platform size	600 x 600 mm
Measuring sensor	Red Light Sensor class 2

Performance Specification	
Maximum object size	530 mm [Length]
	530 mm [Width]
	530 mm [Height]
Minimum object size	30 mm [Length]
	30 mm [Width]
	30 mm [Height]
Measuring increment	5 mm
Measurement time	3 ~ 4 s

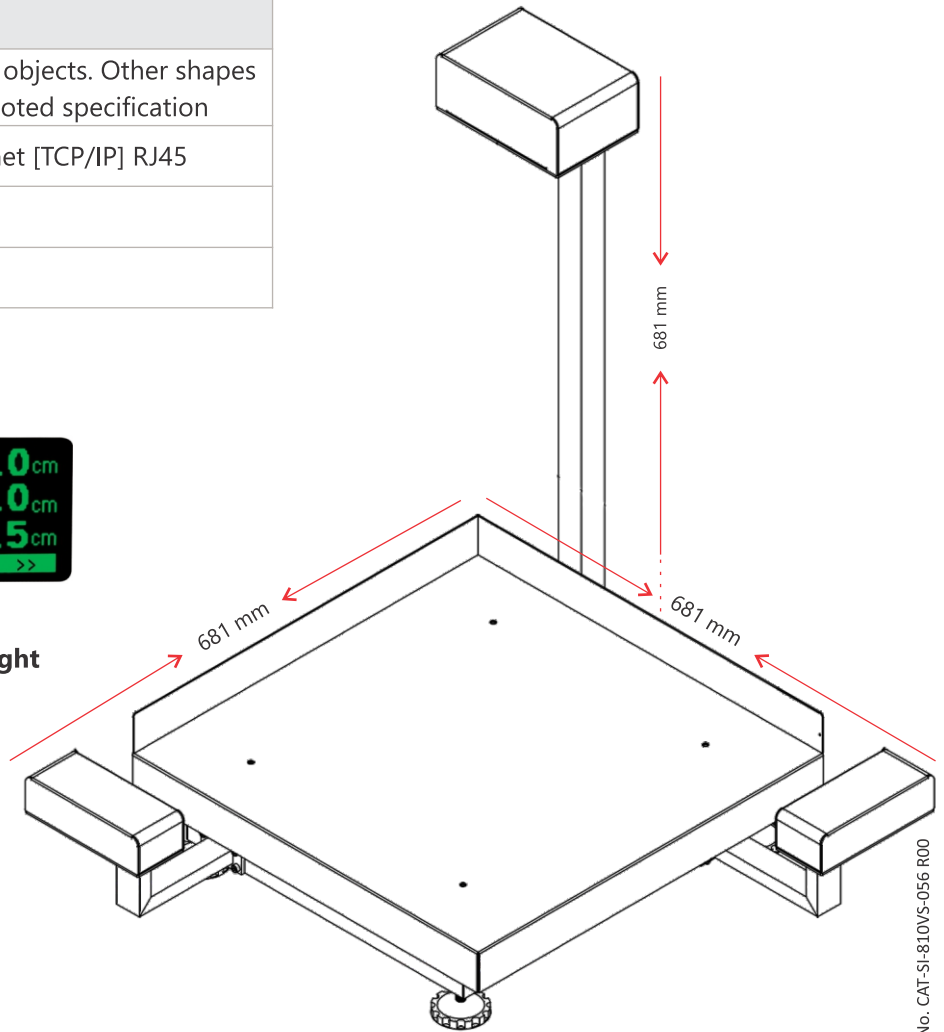
Other Specification	
Object shape	Rectangular solid objects. Other shapes may vary from quoted specification
System interface	USB – HID, Ethernet [TCP/IP] RJ45
Power requirement	230V AC, 50Hz
Power consumption	30 W

Graphic LCD Display



Actual Weight

Volumetric Weight



Form No. CAT-SI-810VS-056 R00

Essae-Teraoka Pvt. Ltd.

410, 100ft Road, 4th Block,
Koramangala, Bengaluru- 560 034

info@essae.com

http://www.essae.com

+91 80 3021 3021

+91 80 3021 3001

1-800-425-3111

0-78488 12346

Essae[®]
...for Excellence

Your Essae representative

▲ Factories in Bengaluru and Goa ▲ 47 Branch Offices ▲ 250+ Service engineers ▲ 350+ Resellers/Partners

Note: Specifications are subject to change without notice. Other names and logos used are property of respective brands.