

Analytical Semi-Micro Balances

GR

Series

High Performance of up to 0.01mg Semi-Micro Weighing
Automatic Self-Calibration and Ergonomic Design

GR-202
210gx0.1mg
42gx0.01mg



Superb "New Generation"

Speedy & Simple Operation to Maximize Performance

Easy Access Door

A unique system allows the user to conveniently open or close the left or right side of the weighing chamber using a control lever.

This system allows quick and efficient access to the weighing chamber.



Open left or right side from front

One Touch Calibration

Allows quick calibration with one push of the CAL key.

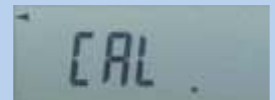
Automatic Adjustable Environment setting

Adapts automatically to the most suitable Environment Response Setting to minimize adverse external effects. "FAST", "MID" or "SLOW" is displayed.



Automatic Self Calibration

Performs self calibration automatically when a change of ambient temperature exceeds the preset temperature range.



Multiple Weighing Units

g, mg, pcs, %, ct,

Two Layer Housing

Durable construction minimizes negative effects of ambient temperature changes.

Splash Proof Keyboard and Display

protected from dust and spills.



GLP/GMP Compliant

Allows GLP or LIMS balance management by outputting the Balance ID number and weight used to calibrate the balance. The data can be output to A&D's AD-8121B printer or a computer, indicating date, time, Balance ID number and calibration weight.



n" Analysis!



The GR Series has a 30% smaller footprint compared with conventional balances. Its tall weighing chamber can accommodate large beakers.



Standard Underhook

Ideal for density measurement and weighing magnetic substances

Standard RS-232C

Enables bi-directional communication with a PC or printer.

Quick Reference Card

A fast and convenient operation guide.



WinCT-Window Communication Tools

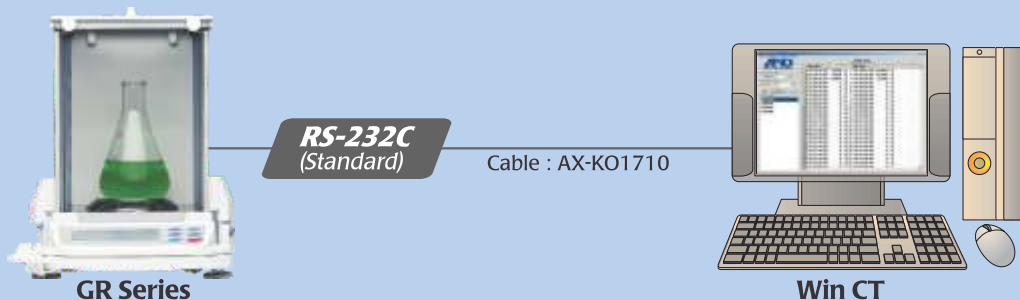
WinCT is Windows Communication Tools Software, providing easy transmission of weighing data from A&D B a l a n c e s to a PC using RS-232C interface.

Data can be transferred in a manageable format limited only by a PC's capability.

WinCT consists of three applications:

RsKey allows weighing data to be directly pasted into a Windows application such as EXCEL or WORD, but this application cannot use "commands" to control the balance.

RsCom can transmit weighing data to a PC using a text file format and can transmit "commands" to control the balance. "Commands" include Calibrate, On/Off, Print, Query weight data, Re-zero, Range,



RsCom, RsKey and RsWeight offer user selectable time, date, sequential #, interval transmission and GLP/GMP data. A readme file contains all setup, operation & troubleshooting guides.

* Windows WORD and EXCEL are registered trademarks of Microsoft Corporation.

Specifications

		GR-202
Gram	(g)	210 x 0.0001 / 42 x 0.00001
	(mg)	210000 x 0.1 / 42000 x 0.01
Carat (ct)		1050 x 0.001 / 210 x 0.0001
Percentage Min Div.		0.01%
Counting Min Weight		0.1mg
Linearity		±0.0002 / ±0.00003g
Repeatability/Std. Dev.		0.0001 / 0.00002g
Stabilization Time		3.5 / 8 seconds (typically)
Sensitivity Drift		±2ppm / °C (10°C~30°C / 50°F~86°F)
Display Refresh		5 times per second / 10 times per second
Pan Size		Ø85mm / 3.3inches
Physical Dimensions	mm	249 (W) x 330 (D) x 328 (H)
	inches	9.8 (W) x 12.99 (D) x 12.91 (H)
Breeze Break Dimensions	mm	178 (W) x 160 (D) x 233 (H)
	inches	7.01 (W) x 6.5 (D) x 9.17 (H)
Admissible Ambient Conditions		5°C~40°C / 41°F~104°F RH less than 85%
Weight Approximately		6.0kg / 13.2lb
Power		Approx. 11VA (supplied to the AC adapter)
Standard Accessories		WinCT in CDROM, Manual, AC Adapter, Reference Card

Specifications are subject to change for improvement without notice

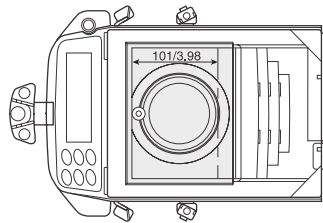
Options:

AD-8121B Dot Matrix Compact Printer

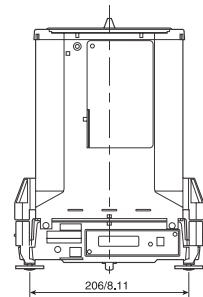


GR Series Dimensions (mm / inches)

TOP VIEW



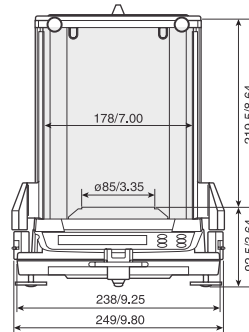
REAR VIEW



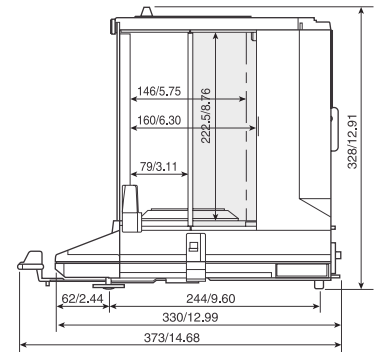
AD-1653 / Optional Density Determination Kit



FRONT VIEW



SIDE VIEW



The contents of this catalogue are subject to change due to modifications and/or other reasons.

MARKETED BY:

Essae-Teraoka Pvt. Ltd.

410, 100ft Road, 4th Block,
Koramangala, Bengaluru-560 034

info@essae.com

http://www.essae.com

+91 80 3021 3000

+91 80 3021 3001

1-800-425-3111

0-78488 12346

Essae®
...for Excellence

Your Essae representative

▲ Factories in Bengaluru and Goa ▲ 47 Branches ▲ over 250 Service engineers ▲ 300+ Resellers/Partners

Note: The above model meets the statutory and regulatory requirements as per the provision of legal metrology Act 2009 and legal metrology (General) Rule, 2011. Specifications are subject to change without notice. Other names and logos used are property of respective brands.