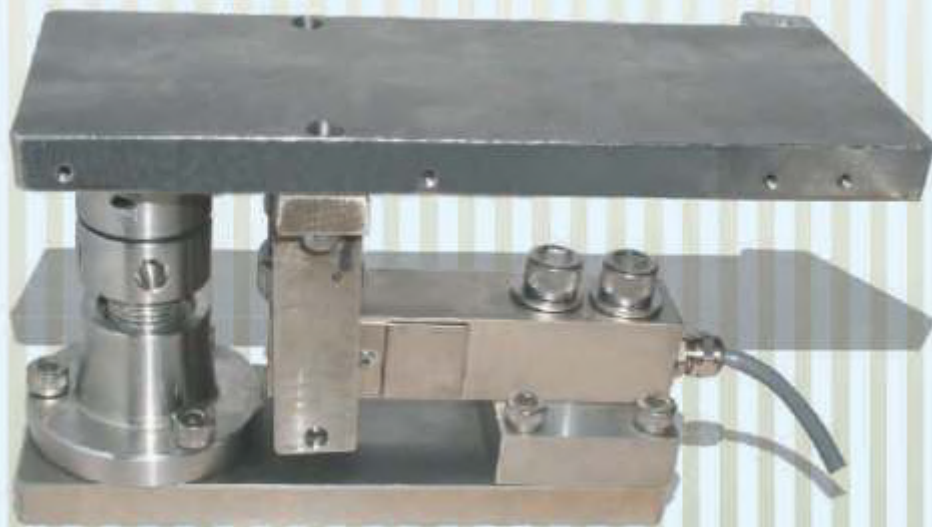




**Essae**<sup>®</sup>  
...for Excellence

***For accurate  
weighment of tank  
vessel or hopper  
Rugged yet reliable!***



***Load cell with mounting arrangement***

**DS-451**  
**TANK WEIGHER**

## Salient Features:

- Built-in screw jack for easy maintenance
- Lift-off protection
- Permanent protection against load cell damage
- Simplifies load cell installation
- Optional Stainless steel load cell

**Essae**<sup>®</sup>  
...for Excellence

## Technical Specifications:

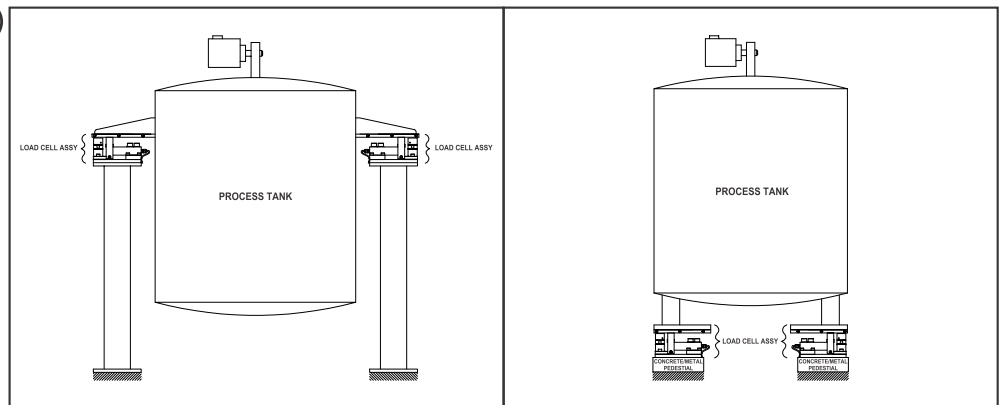
Capacities	: 300 kg to 10 Tonne
Display resolution	: 1/2000 to 1/5000 (depending on capacity & tank)
Internal resolution	: 1/600000
Number of load cell:	3 or 4 (depending on tank)
Load cell	: <ul style="list-style-type: none"><li>▪ Load cell Construction : Nickel Plated Alloy Steel</li><li>▪ Environmental Protection : IP67</li><li>▪ Approvals : OIML</li><li>▪ Load cell mounting parts : SS304</li></ul>
Console	: SS Housing
Display	: High brightness, green vacuum fluorescent display
Options	: <ul style="list-style-type: none"><li>▪ RS-232 serial interface</li><li>▪ Tool steel load cell</li><li>▪ Flame proof console for hazardous areas</li><li>▪ 4-20m A</li><li>▪ Set Point (Inbuilt) - TTL level</li><li>▪ Set Point (External) - Relay output</li><li>▪ Jumbo display - RED LED (25mm or 50mm)</li></ul>



Flame Proof Indicator

## Typical mounting Diagram:

(for illustration purpose only)



**Note :** The above model meets the statutory & regulatory requirements as per the provisions of standards of Weights & Measures Act, 1976 and the standards of Weights & Measures (Approval of Models) Rules, 1987

Specifications are subject to change without notice.

### Essae-Teraoka Pvt. Ltd.

410, 100ft Road, 4th Block,  
Koramangala, Bengaluru-560 034

info@essae.com

http://www.essae.com

+91 80 3021 3000

+91 80 3021 3001

1-800-425-3111

0-78488 12346

**Essae**<sup>®</sup>  
...for Excellence

Your Essae representative

▲ Factories in Bengaluru and Goa ▲ 47 Branches ▲ over 250 Service engineers ▲ 300+ Resellers/Partners

Note: The above model meets the statutory and regulatory requirements as per the provision of legal metrology Act 2009 and legal metrology (General) Rule, 2011. Specifications are subject to change without notice. Other names and logos used are property of respective brands.